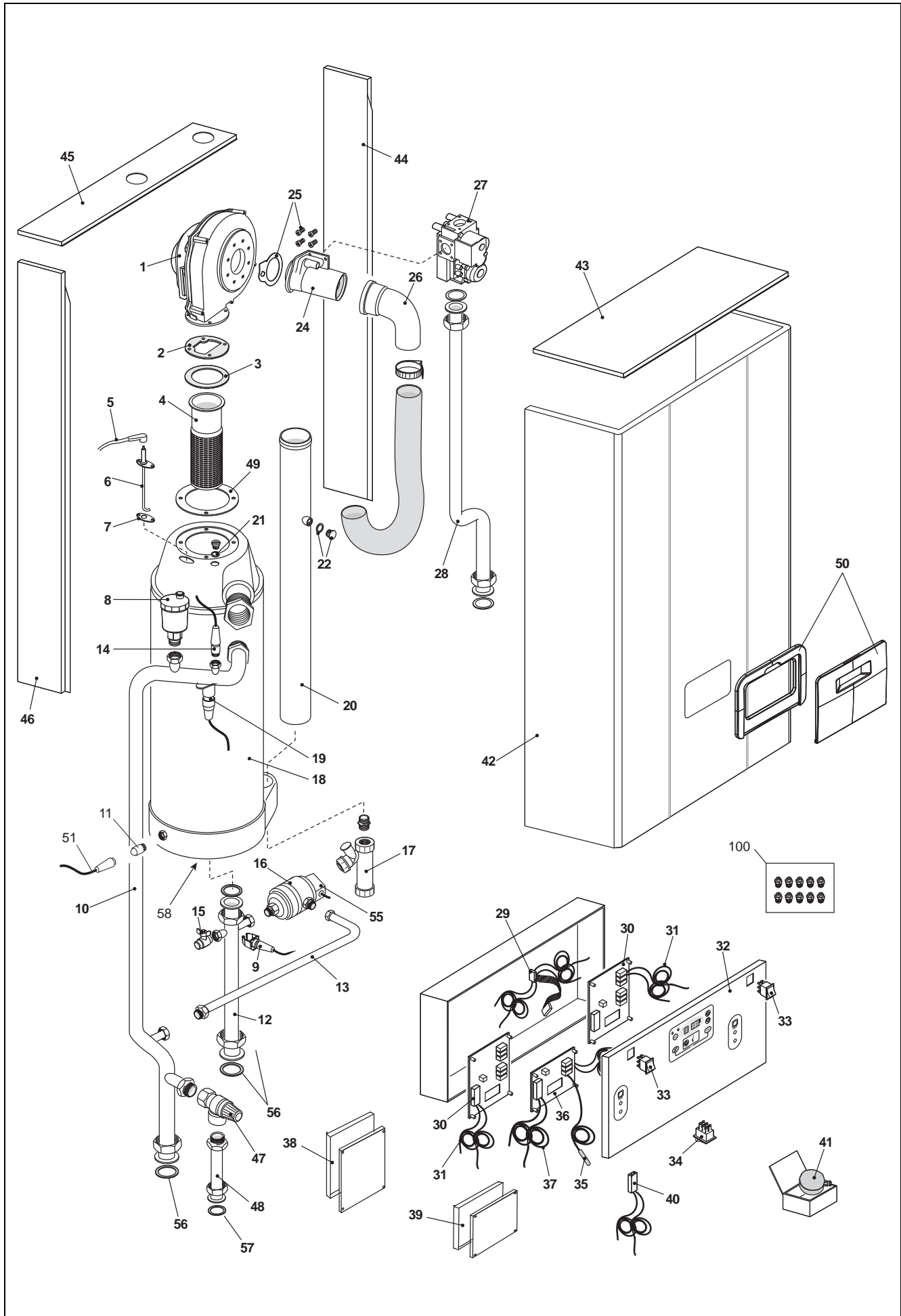


Caldaie a condensazione

Power Plus

MODEL	CODE
	MTN
Power Plus 50M	20076238 (M2B)
Power Plus 100M	20076239 (M3B)
Power Plus 100S	20076240 (M4B)



POS.	DESCRIPTION	Power Plus 50M	Power Plus 100M	Power Plus 100S
1	Fan	20116231	20116231	20116231
2	Washer	20101521	20101521	20101521
3	Washer	R105917	R105917	R105917
4	Premix burner	B81511	B81511	B81511
5	Wiring harness	R105901	R105901	R105901
6	Electrode ignition and detection	R105914	R105914	R105914
7	Washer	20102379	20102379	20102379
8	Air venting plug	R105930	R105930	R105930
9	Detector	B81512	B81512	B81512
10	Pipe	R106337	R106337	R106337
11	NTC sensor	20049604	20049604	20049604
12	Pipe	B81513	B81513	B81513
13	Pipe	B81514	B81514	B81514
14	NTC sensor	R10027352	R10027352	R10027352
15	Cock	R105912	R105912	R105912
16	Pressure	B81510	B81510	B81510
17	Siphon	R107428	R107428	R107428
18	Exchanger	20049127	20049127	20049127
19	Thermostat	R107037	R107037	R107037
20	Pipe	B81515	B81515	B81515
21	Gasket	20102262	20102262	20102262
22	Plug	B81516	B81516	B81516
24	Venturi tube	R105932	R105932	R105932
25	Venturi tube screw washer	R105908	R105908	R105908
26	Bend	R105902	R105902	R105902
27	Gas valve	R106250	R106250	R106250
28	Gas pipe	R105970	R105970	R105970
29	Wiring harness	B81517	B81517	B81517
30	Slave printed circuit board	20078150	20078150	20078150
31	Slave wiring harness	B81518	B81518	B81518
32	Instrumental panel	R106847	R106847	-
33	Switch	R105906	R105906	R105906
34	On / off button round	R105907	R105907	R105907
35	Temperature detector	R105924	R105924	-
36	Master printed circuit board	20078146	20078146	-
37	Master wiring harness	B81519	B81519	-
38	Cover slave	R105974	R105974	R105974
39	Panel master	R105973	R105973	-
40	Serial Wiring	B81520	B81520	B81520
41	Detector	R106277	R106277	-
42	Slave front panel	B81508	B81508	R106372
43	Upper front panel	R105965	R105965	R105965
44	Right panel	R105968	R105968	R105968
45	Top rear	R105975	R105975	R105975
46	Left panel	R105969	R105969	R105969
47	Safety valve	R106615	R106615	R106615
48	Pipe	R106339	R106339	R106339
49	Exchanger flange	R105915	R105915	R105915
50	Digital display frame assembly	R106849	R106849	-
51	Wiring harness	20049608	20049608	20049608
55	Cable connector	20060695	20060695	20060695
56	Washer	20102374	20102374	20102374
57	Washer	20102376	20102376	20102376
58	Plug	20116714	20116714	20116714
100	LPG conversion kit	R107180	R107180	R107180



Beretta si riserva di variare le caratteristiche e i dati riportati nel presente fascicolo in qualunque momento e senza preavviso, nell'intento di migliorare i prodotti. Questo fascicolo pertanto non può essere considerato come contratto nei confronti di terzi.