



INSTALLATION INSTRUCTIONS

Package Usage and Contents

Room-Mate Comfort Controller Package consists of the following components:

- (1) Room-Mate Comfort Controller (Figure-1)
- (2) 6-32" x 1" round head machine screws

IMPORTANT:

All installation operations must be carried out by technicians who have been trained on Carrier products, regarding all Carrier quality and safety standards.

IMPORTANT:

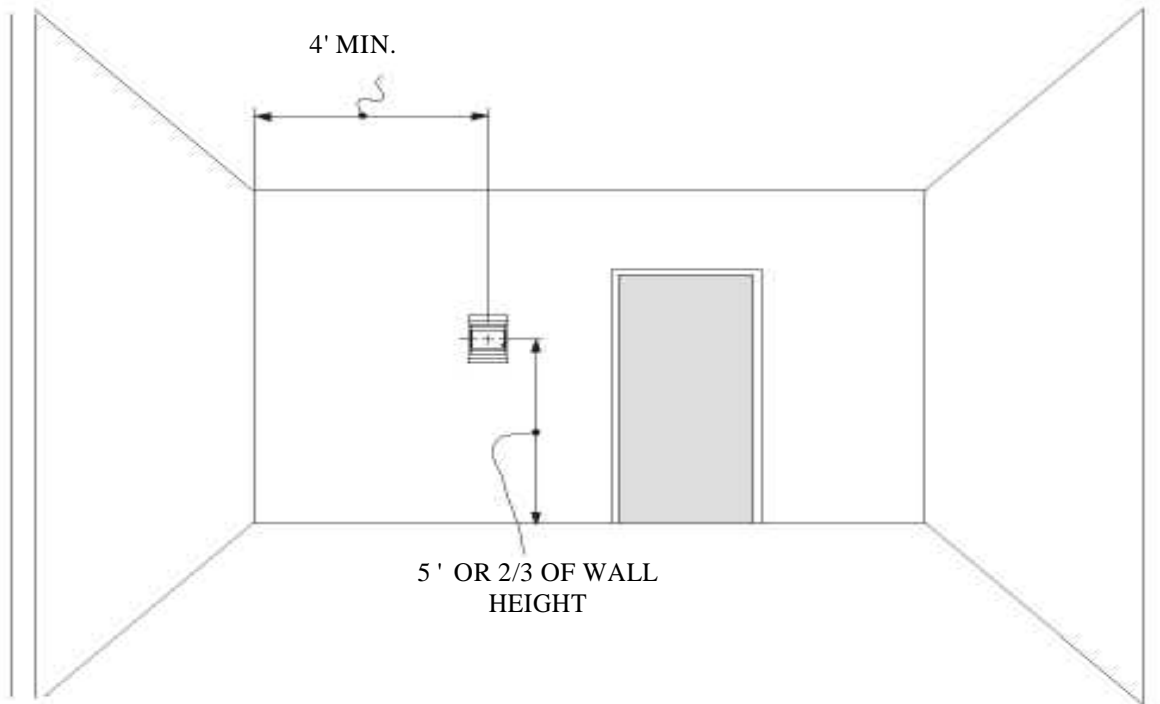
Read this instruction completely before attempting to install.

WARNING:

Remove power before wiring! Never connect or disconnect wiring with power applied. Do not allow live wires to touch the controller's circuit board.

CAUTION:

- Do not run the Room-Mate Comfort Controller wiring in any conduit with line powered wiring.
- Room-Mate Comfort Controller is powered by 24Vac, the 24Vac power and ground wires should be run in a separate cable from signal wires. Separate the power cable from the signal cable by at least 15cm (6 inches) along the entire wiring run.
- Failure to wire devices with the correct polarity using a shared transformer may result in damage to any device powered by the shared transformer.
- The Room-Mate Comfort Controller measures building interior temperature and should be located on an interior building wall. The controller can be mounted directly on the wall surface if acceptable by local codes.
- Do not mount the controller in drafty locations such as near air conditioning or heating ducts, over heat sources such as baseboard heaters, radiators, or directly above wall mounted lighting dimmers. Do not mount the controller near a window that may be opened, or near a wall corner or door. Controllers mounted in these areas will have inaccurate and erratic sensor readings.
- Mount the controller approximately 150cm (5 ft) from the floor, in an area representing the average temperature in the space. Allow at least 120cm (4 ft) between the controller and any corner and mount the controller at least 60cm (2 ft) from an open doorway.
- Clean controller with damp cloth only. Do not use solvents.

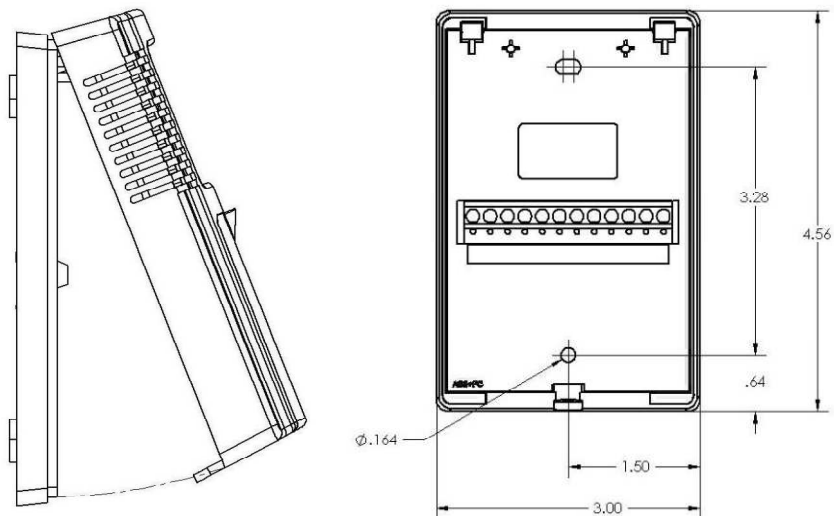


INSTALLATION

WARNING:

Remove power before wiring! Never connect or disconnect wiring with power applied. Do not allow live wires to touch the controller's circuit board.

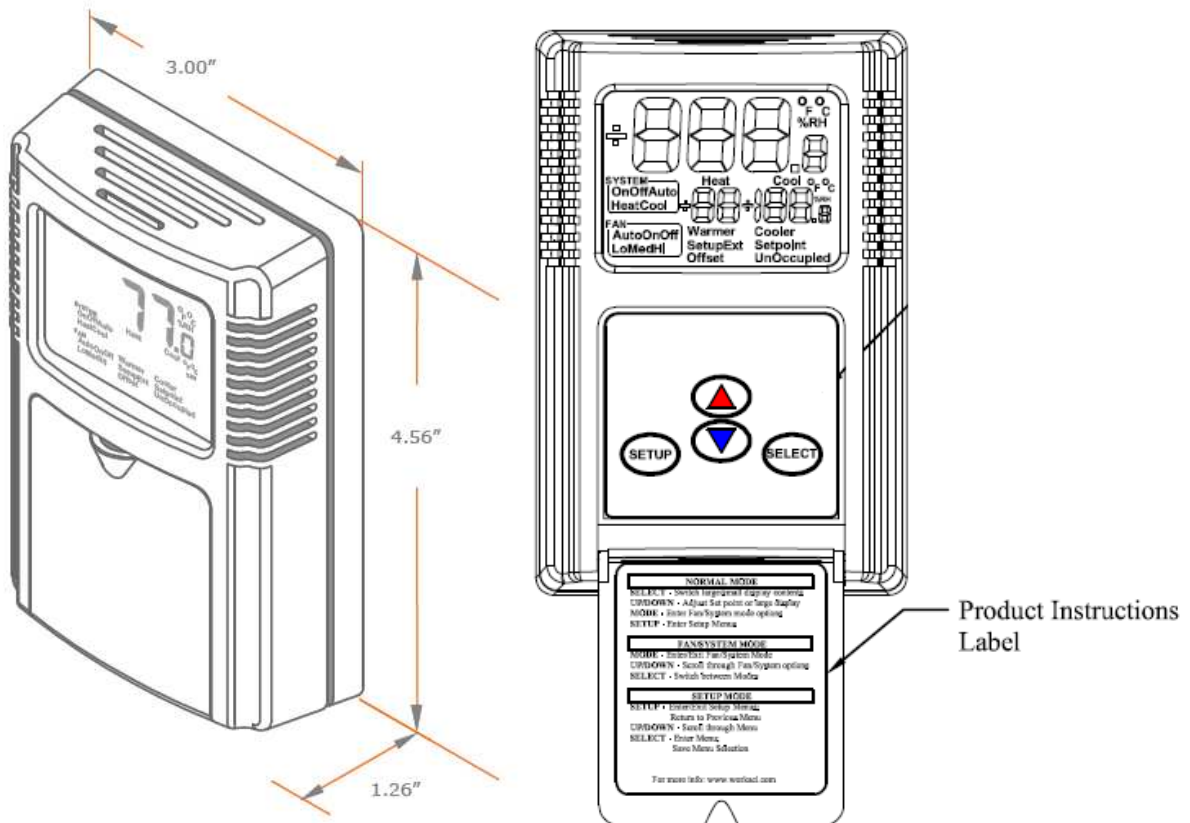
1. Carefully separate the cover from the base by pulling the cover and base apart towards the bottom of the device. The hex screw may need to be turned in to release the cover.



2. Route the wires through the access hole in the center of the base and screw them into the terminal blocks.

3. Use 0.5mm² – 1.5mm² (20-16 AWG) twisted pair wires or shielded cable for all controller installations. For additional wiring instructions, see diagram 5726419 and 5726421.
4. Attach the base directly to drywall, or to a standard 2" x 4" junction box using the hardware provided.
5. After wiring, attach the cover to the base and turn out the hex screw until the cover cannot be removed.

Figure–1: Room-Mate Comfort Controller:



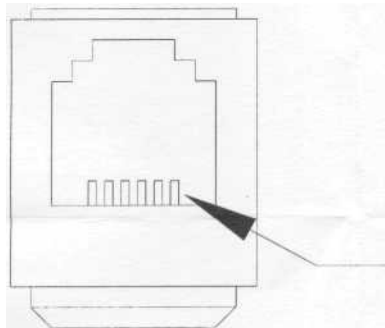
COMMUNICATIONS WIRING INSTRUCTIONS

Before mounting the base to the wall, make the appropriate connections to the communications jack as described below;

The number of wires needed depends on the application. Using the provided wire nuts, attach the required wires to the proper connector leads based on the connector pins used by your application.

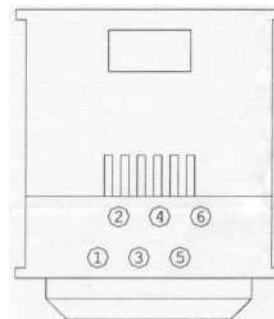
CONNECTOR PIN:	CONNECTOR LEAD COLORS:
1	BLUE
2	BLACK
3	RED
4	GREEN
5	YELLOW
6	WHITE

FRONT VIEW:



PIN 1

REAR VIEW :



WIRE NUMBER:	WIRE COLOR:
1	BLU
2	BLK
3	RED
4	GRN
5	YEL
6	WHT

NOTE: Wire number corresponds to connector pin number.