


A1 - A3	MODULE MAITRE A MICROPROCESSEUR	A1 - A3	MICROPROCESSOR-BASED MASTER MODULE	A1 - A3	HAUPTMODUL
A2	AFFICHEUR	A2	DISPLAY	A2	BEDIENUNGS- UND ANZEIGE-MODUL
A148	PASSERELLE CCN-JBUS	A148	J-BUS BOARD	A148	J-BUS SCHNITTSTELLE RS232/RS485
BP1	TRANSDUCTEUR DE PRESSION REFOULEMENT CIRCUIT A	BP1	DISCHARGE PRESSURE TRANSDUCER, CIRCUIT A	BP1	MESSWANDLER VERDICHUNGSDRUCK, KREISLAUF A
BP2	TRANSDUCTEUR DE PRESSION REFOULEMENT CIRCUIT B	BP2	DISCHARGE PRESSURE TRANSDUCER, CIRCUIT B	BP2	MESSWANDLER VERDICHUNGSDRUCK, KREISLAUF B
BP3	TRANSDUCTEUR DE PRESSION ASPIRATION CIRCUIT A	BP3	SUCTION PRESSURE TRANSDUCER. CIRCUIT A	BP3	MESSWANDLER SAUGDRUCK, KREISLAUF A
BP4	TRANSDUCTEUR DE PRESSION ASPIRATION CIRCUIT B	BP4	SUCTION PRESSURE TRANSDUCER. CIRCUIT B	BP4	MESSWANDLER SAUGDRUCK, KREISLAUF B
EC1-EC2-EC3	COMPRESSEUR CIRCUIT A	EC1-EC2-EC3	COMPRESSOR CIRCUIT A	EC1-EC2-EC3	VERDICHTER KREISLAUF A
EC3-EC4	COMPRESSEUR CIRCUIT B	EC3-EC4	COMPRESSOR CIRCUIT B	EC3-EC4	VERDICHTER KREISLAUF B
EH1C ... EH4C	RECHAUFFEUR CARTER COMPRESSEUR	EH1C...EH4C	COMPRESSOR HEATER	EH1C...EH4C	KURBELWANNENHEIZUNG VERDICHTER
EV11 - EV13	VENTILATEUR CONDENSEUR	EV11 - EV13	CONDENSER FAN	EV11 - EV13	VERFLUESSIGERVENTILATOR
FU1...FU4	PROTECTION CIRCUIT COMPRESSEUR	FU1...FU4	COMPRESSOR CIRCUIT PROTECTION	FU1.. FU4	SCHUTZSCHALTER VERDICHTER
GS1 ... GS4	DEMARREUR COURANT REDUIT COMPRESSEUR	GS1 ... GS4	SOFT START DEVICE, COMPRESSOR	GS1 ... GS4	SANFTANLAUFREGLER, VERDICHTER
GS11 - GS13	VARIATEUR DE VITESSE MOTEUR VENTILATEUR CONDENSEUR	GS11 - GS13	CONDENSER FAN MOTOR VARIABLE SPEED DRIV	GS11 - GS13	DREHZAHNREGLER VERFLUESSIGERVENTILATOR-MOTOR
HL	VOYANT ALARME	HL	ALARM	HL	
KM1 ... KM4	CONTACTEUR COMPRESSEUR	KM1 ... KM4	CONTACTOR COMPRESSOR	KM1 ... KM4	SCHUETZ VERDICHTER
KM11...KM14	CONTACTEUR VENTILATEUR CONDENSEUR	KM11...KM14	CONDENSER FAN CONTACTOR	KM11...KM14	SCHUETZ VERFLUESSIGERVENTILATOR
QF	DISJONCTEUR CIRCUIT CONTROLE -RECHAUFFEURS	QF	CIRCUIT BREAKER	QF	SCHUTZSCHALTER, STEUERSTROMKREIS
QM11-QM13	PROTECTION CIRCUIT VENTILATEURS	QM11-QM13	VENTILATOR CIRCUIT PROTECTION	QM11-QM13	SCHUTZSCALTER VERFLUESSIGERVENTILATOR
QS100	INTERRUPTEUR GENERAL	QS100	GENERAL DISCONNECT SWITCH	QS100	HAUPT-TRENNSCHALTER
RB	REINITIALISATION DEFAULT	RB		RB	
RT10	SONDE DE TEMPERATURE AIR AMBIANT OU EXTERIEUR	RT10	AMBIENT OR OUTSIDE AIR TEMPERATURE SENSOR	RT10	UMGEBUNGS- ODER AUSSENLUFT- TEMPERATURFUEHLER
RT31-RT32	SONDE DE TEMPERATURE ASPIRATION	RT31-RT32	SUCTION TEMPERATURE SENSOR	RT31-RT32	TEMPERATUR SENSOR SAUGASS
SP101F-SP102F	PRESSOSTAT HAUTE PRESSION DE SECURITE	SP101F-SP102F	HIGH PRESSURE SAFETY SWITCH	SP101F-SP102F	HOCHDRUCK-SICHERHEITS-SCHALTER, KREISLAUF A
TC	TRANSFORMATEUR CIRCUIT CONTROLE	TC	CONTROL CIRCUIT TRANSFORMER	TC	TRANSFORMATOR STEUERSTROMKREIS
X100	BORNIER ALIMENTATION GENERALE	X100	GENERAL TERMINAL POWER	X100	
YV1 -YV1A	VANNE D'ISOLEMENT CIRCUIT A	YV1 - YV1A		YV1 - YV1A	
YV2 -YV2A	VANNE D'ISOLEMENT CIRCUIT B	YV2 - YV2A		YV2 - YV2A	
ZGS11-13	FILTRE CEM VENTILATEUR	ZGS11-13	EMC FAN FILTER	ZGS11-13	

SCHEMA SIMPLIFIE
SIMPLIFIED WIRING
VEREINFACHTES SCHEMA

SEMPLIFICATI COLLEGAMENTI
SIMPLIFICADO CABLEDO

38RBS 039 -> 160

	13/03/2015	1
00DCG000085600		A


A1 - A3 MODULO PRINCIPALE A MICROPROCESSORE
 A2 DISPLAY
 A148 CHEDA CCN-J BUS
 BP1 TRASDUTTORE DELLA PRESSIONE DI MANDATA, CIRCUITO A
 BP2 TRASDUTTORE DELLA PRESSIONE DI MANDATA, CIRCUITO B
 BP3 TRASDUTTORE DELLA PRESSIONE DI ASPIRAZIONE. CIRCUITO A
 BP4 TRASDUTTORE DELLA PRESSIONE DI ASPIRAZIONE. CIRCUITO B
 EC1-EC2-EC3 COMPRESSORE, CIRCUITO A
 EC3-EC4 COMPRESSORE, CIRCUITO B
 EH1C...EH4C RISCALDATORE CARTER COMPRESSORE
 EV11 ... EV13 VENTILATORE DEL CONDENSATORE
 FU1...FU4 MAGNETOTERMICO CIRCUITO AUSILIARIO
 GS1...GS4 AVVIAMENTO A CORRENTE RIDOTTA, COMPRESSORE
 GS11 - GS13 VARIATORE DI VELOCITA DEL MOTORE VENTILATORE
 HL
 KM1 ... KM4 TELERUTTORE, COMPRESSORE
 KM11 ... KM14 TELERUTTORE DEL VENTILATORE DEL CONDENSATORE
 QF INTERRUPTORE MAGNETOTERMICO, CIRCUITO DI CONTROLLO
 QM11-QM13 MAGNETOTERMICO DEL VENTILATORE DEL CONDENSATORE
 QS100 SEZIONATORE GENERALE
 RB
 RT10 SONDA TEMPERATURA ESTERNA O AMBIENTE
 RT31-RT32 SENSORE AWOOLGIMENTI MOTORE COMPRESSORE
 SP101F-SP102F PRESSOSTATO DI ALTAX, CIRCUITO A
 TC TRASFORMATORE DEL CIRCUITO DI CONTROLLO
 X100
 YV1 - YV1A
 YV2 - YV2A
 ZGS11-13

A1 - A3 MODULO PRINCIPAL BASADO EN MICROPROCESADOR
 A2 PANTALLA
 A148 TARJETA J BUS
 BP1 TRANSDUCTOR DE PRESION DE DESCARGA, CIRCUITO A
 BP2 TRANSDUCTOR DE PRESION DE DESCARGA, CIRCUITO B
 BP3 TRANSDUCTOR DE PRESION DE ASPIRACION, CIRCUITO A
 BP4 TRANSDUCTOR DE PRESION DE ASPIRACION, CIRCUITO B
 EC1-EC2-EC3 COMPRESOR, CIRCUITO A
 EC3-EC4 COMPRESOR, CIRCUITO B
 EH1C...EH4C CALENTADOR DE CARTER DEL COMPRESOR
 EV11 ... EV13 VENTILADOR DEL CONDENSADOR
 FU1...FU4 INTERRUPTOR DEL COMPRESOR
 GS1...GS4 DISPOSITIVO DE ARRANQUE A TENSION REDUCIDA, COMPRESOR
 GS11 - GS13 VARIADOR DE VELOCIDAD DEL MOTOR DEL VENTILADOR DEL CONDENSADOR
 HL
 KM1 ... KM4 CONTACTOR, COMPRESOR
 KM11 ... KM14 CONTACTOR DEL VENTILADOR DEL CONDENSADOR
 QF DISYUNTOR AUTOMATICO, CIRCUITO DE CONTROL
 QM11-QM13 INTERRUPTOR DE PROTECCION
 QS100 INTERRUPTOR GENERAL
 RB
 RT10 SONDA DE TEMPERATURA AMBIENTE O DEL AIRE EXTERIOR
 RT31-RT32 SONDA DE TEMPERATURA
 SP101F-SP102F PRESOSTATO DE ALTA PRESION, CIRCUITO A
 TC TRANSFORMADOR DEL CIRCUITO DE CONTROL
 X100
 YV1 - YV1A
 YV2 - YV2A
 ZGS11-13

SCHEMA SIMPLIFIE
 SIMPLIFIED WIRING
 VEREINFACHTES SCHEMA

SEMPLIFICATI COLLEGAMENTI
 SIMPLIFICADO CABLEDO

38RBS 039 -> 160

	13/03/2015	2
00DCG000085600		A

RACCORDEMENTS CONTROLE CLIENT

1	MARCHE / ARRET A DISTANCE
2	ETAGE 1
3	ETAGE 2
4	ETAGE 3
5	ETAGE 4
6	ASSERVISSEMENT CLIENT
8	ALARME / ALERT CIRCUIT A
9	RUNNING

20	SONDE SOUFFLAGE
21	VENTILATEUR SOUFFLAGE
22	TEMPERATURE AIR AMBIANT
23	OCCUPANCY OVERRIDE PUSH BUTTON
24	SETPOINT OFFSET POTENTIOMETER

OPTIONS ET ACCESSOIRES

OPT_25	DEMARRAGE A COURANT REDUIT
OPT_28	DEMARRAGE HIVER
OPT_70	SECTIONNEUR GENERAL
OPT_148	BUS COMMUNICATION BACNET OU LON OU JBUS
OPT_275	INTERFACE DE COMMANDE DEPORTEE
OPT_278	
OPT_282A	FILTRE CEM VARIATION VITESSE ENTILATEUR CONDENSEUR

CUSTOMER CONTROL CONNECTIONS

1	REMOTE ON / OFF
2	STAGE 1
3	STAGE 2
4	STAGE 3
5	STAGE 4
6	CUSTOMER CONTROL SYSTEM
8	ALARM / ALERT CIRCUIT A
9	RUNNING

20	
21	
22	TEMPERATURE AIR AMBIANT
23	OCCUPANCY OVERRIDE PUSH BUTTON
24	SETPOINT OFFSET POTENTIOMETER

ACCESSORIES AND OPTIONS

OPT_25	SOFT START
OPT_28	WINTER START
OPT_70	DISCONNECT MAIN SWITCH
OPT_148	BUS BACNET OR LON OR JBUS
OPT_275	REMOTE HUMAN INTERFACE
OPT_278	SPACE SENSOR CONTROL
OPT_275	REMOTE HUMAN INTERFACE

KUNDEN STEUERKLEMMLEISTE

1	FERNBEDIENUNG EIN / AUS
2	
3	
4	
5	
6	KUNDENEIGENES STEUER- UND REGELSYSTEM
8	ALARME / ALERT
9	BEDRIJFSMELDING

20	
21	
22	
23	
24	


ZUBEHÖR UND OPTIONS

OPT_25	SANFTANLAUFREGLER
OPT_28	WINTERANLAUF
OPT_70	JBUS - BACNET - LON
OPT_148	JBUS - BACNET - LON
OPT_275	
OPT_278	
OPT_275	

SCHEMA SIMPLIFIE
SIMPLIFIED WIRING
VEREINFACHTES SCHEMA

SEMPLIFICATI COLLEGAMENTI
SIMPLIFICADO CABLEDO

38RBS 039 -> 160

	13/03/2015	3
00DCG000085600		A

COLLEGAMENTI DI CONTROLLO PER CLIENTE

1 CONTROLLO REMOTO ON/OFF
2
3
4
5
6 SISTEMA DI CONTROLLO DEL CLIENTE
8 ALLARME ALLERTA
9 UNITA IN FUNZIONE

20
21
22
23
24

ACCESSORI ED OPZIONI

OPT_25 AVVIAMENTO A CORRENTE RIDOTTA
OPT_28 AVVIAMENTO INVERNALE
OPT_70
OPT_148
OPT_275
OPT_278
OPT_282A

CONEXIONES DE CONTROL DEL CLIENTE

1 ON / OFF REMOTO
2
3
4
5
6 SISTEMA DE CONTROL DEL CLIENTE
8 ALARMA DE SEGURIDAD ALERTA
9 CONTROL CALDERA

20
21
22
23
24


ACCESORIOS Y OPCIONES

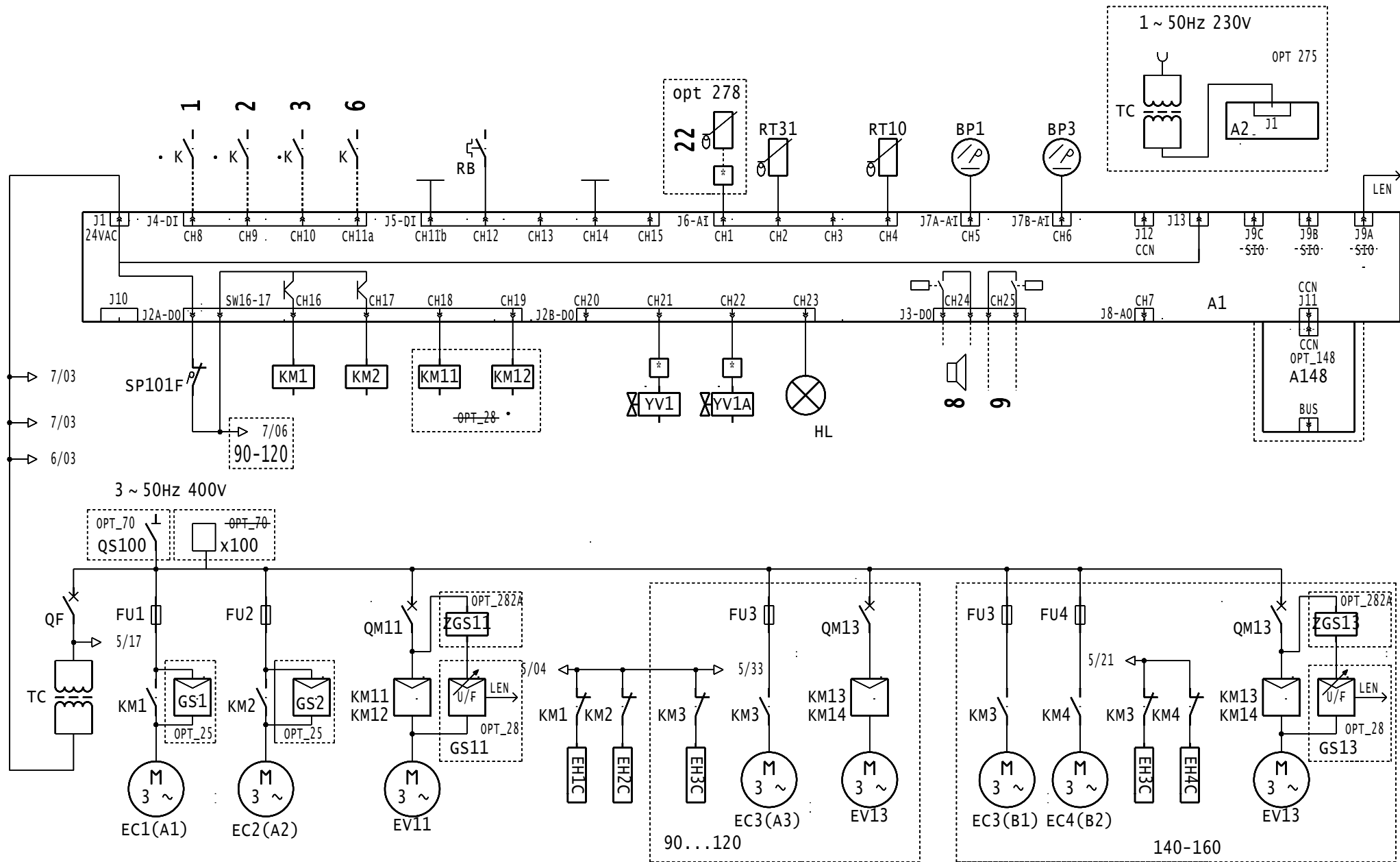
OPT_25 DISPOSITIVO DE ARRANQUE A TENSION REDUCIDA
OPT_28 ARRANQUE EN INVIERNO
OPT_70
OPT_148
OPT_275
OPT_278
OPT_282A

SCHEMA SIMPLIFIE
SIMPLIFIED WIRING
VEREINFACHTES SCHEMA

SEMPLICATI COLLEGAMENTI
SIMPLIFICADO CABLEDO

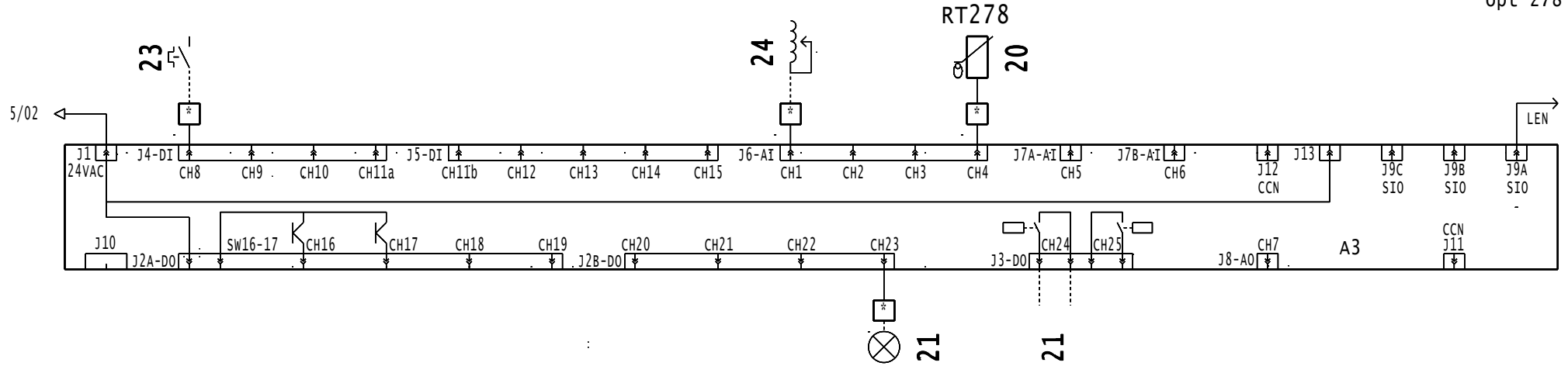
38RBS 039 -> 160

	13/03/2015	4
00DCG000085600		A



01	02	03	04	05	06	07	08	09	10	11	12	13	14	15	16	17	18	19	20	21	22	23	24	25	26	27	28	29	30	31	32	33	34	35	36	37	38	39	40
SCHEMA SIMPLIFIE SIMPLIFIED WIRING VEREINFACHTES SCHEMA																	SEMPLOCATI COLLEGAMENTI SIMPLIFICADO CABLEDO											38RBS 039 -> 160			Carrier 13/03/2015		5						
																																	00DCG000085600			A			

opt 278



01	02	03	04	05	06	07	08	09	10	11	12	13	14	15	16	17	18	19	20	21	22	23	24	25	26	27	28	29	30	31	32	33	34	35	36	37	38	39	40
----	----	----	----	----	----	----	----	----	----	----	----	----	----	----	----	----	----	----	----	----	----	----	----	----	----	----	----	----	----	----	----	----	----	----	----	----	----	----	----

38RBS 039 -> 080

Carrier

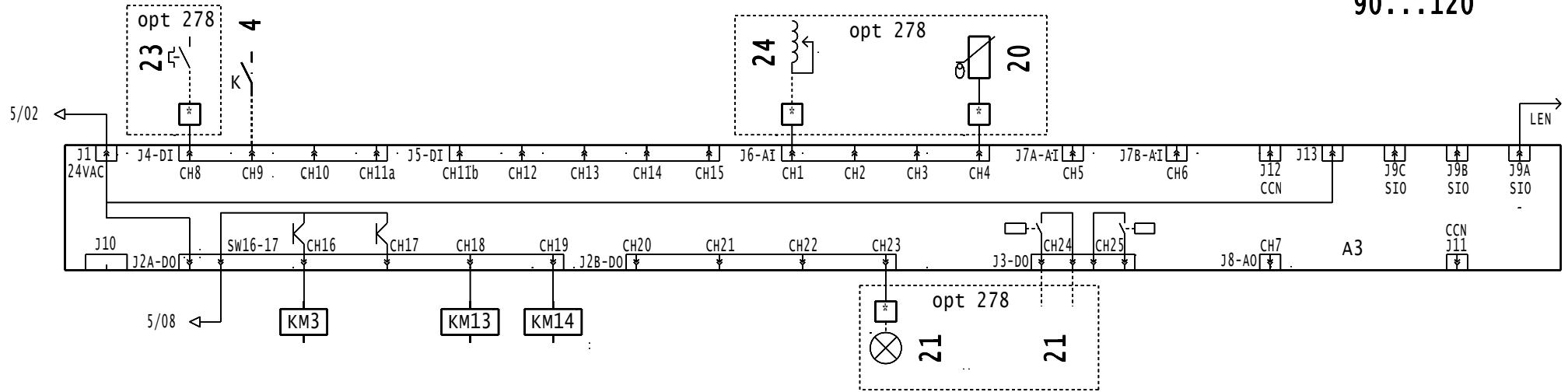
13/03/2015

6

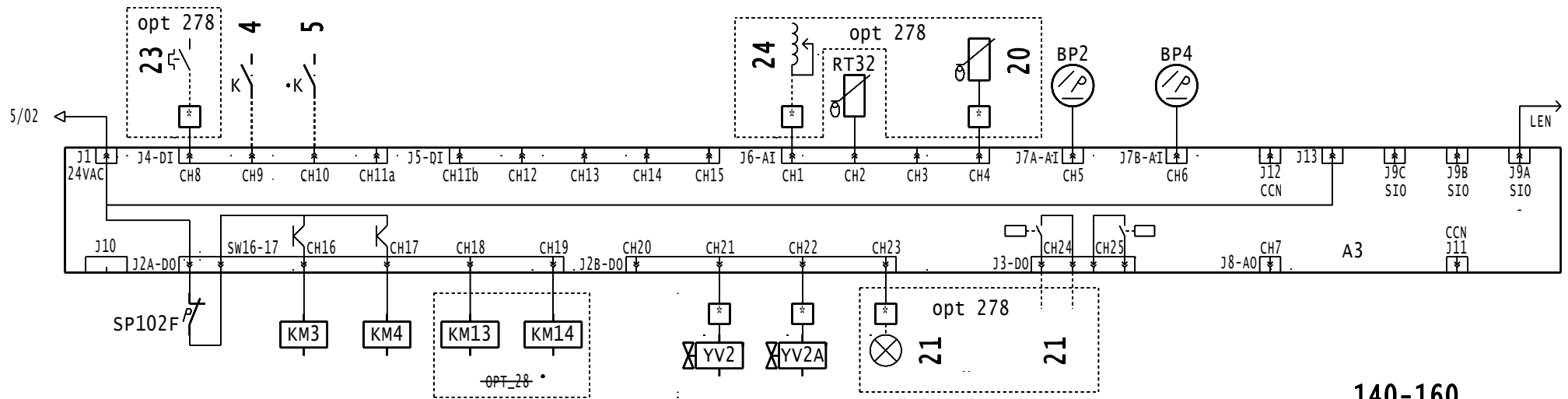
00DCG000085600

A

90...120



140-160



01	02	03	04	05	06	07	08	09	10	11	12	13	14	15	16	17	18	19	20	21	22	23	24	25	26	27	28	29	30	31	32	33	34	35	36	37	38	39	40
SCHEMA SIMPLIFIE SIMPLIFIED WIRING VEREINFACHTES SCHEMA																SEMPLOCATI COLLEGAMENTI SIMPLICADO CABLEDO												38RBS 090 -> 160				Carrier 13/03/2015		7					
00DCG000085600																																		A					