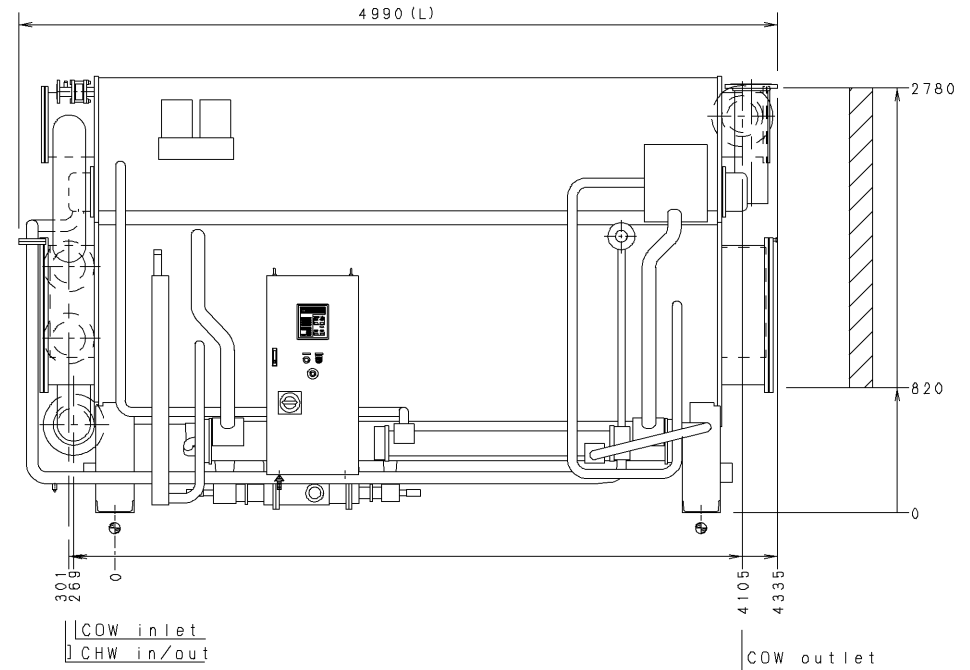
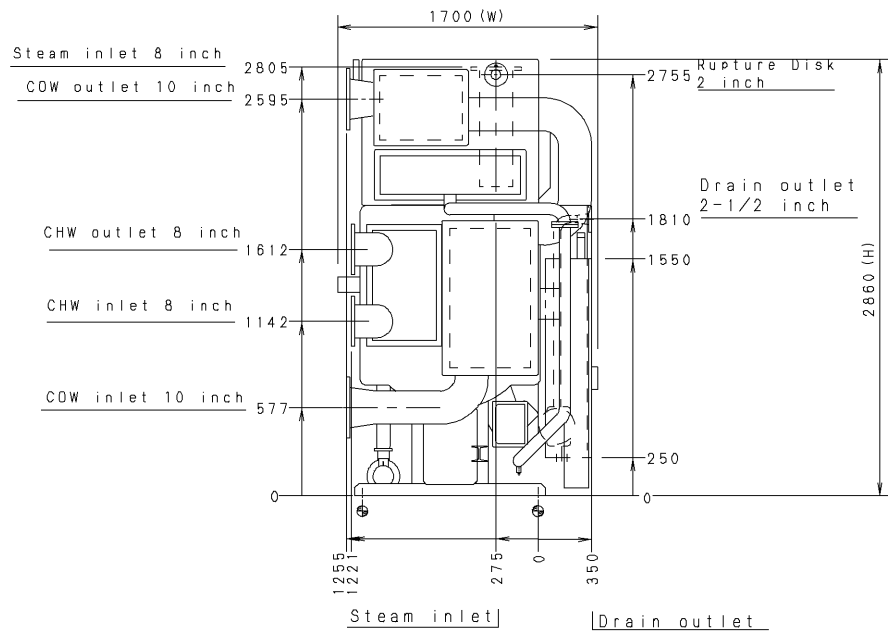
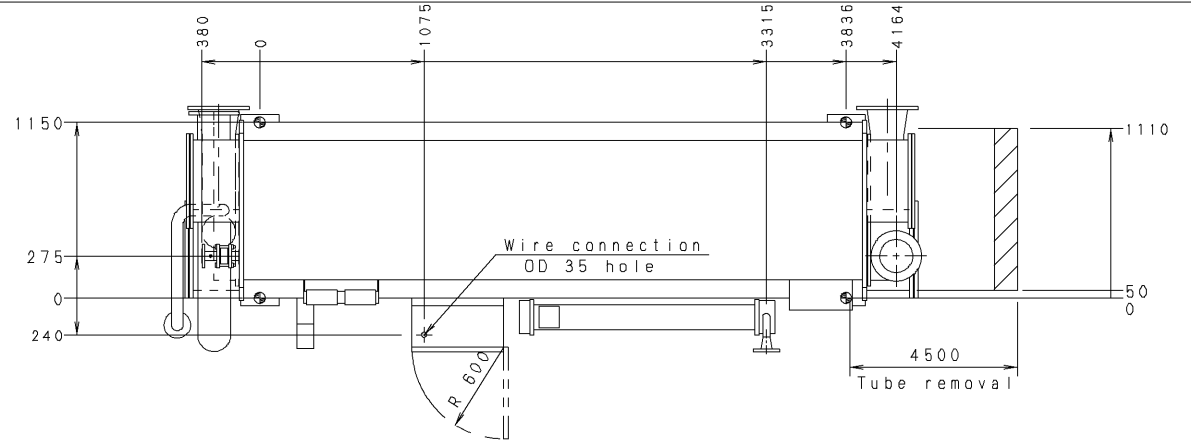


**NOTE**

- (1) DIMENSIONS (L). (W). (H). ARE FOR STANDARD MACHINE. THE DIMENSIONS ARE CHANGED BY PARTS ADDED.
- (2) ⊕ INDICATES THE POSITION OF ANCHOR BOLTS.
- (3) CLEARANCE SPACE MUST BE SAVED EITHER SIDE OF THE CHILLER
- (4) MATING FLANGES OF ALL EXTERNAL WATER ARE PROVIDED WELDED ANSI 150LB FLANGE WITH CHILLER.
- (5) ⚡ INDICATES THE POSITION OF THE POWER SUPPLY CONNECTION ON CONTROL PANEL. (DIA. 35 MM)
- (6) INSTALLATION CLEARANCE
  - LONGITUDINAL DISTANCE: 1000 MM
  - TOP : 200 MM
  - OTHERS: 500 MM



**DIMENSIONS**

TSA-16TJ-42

TJ-006-212-00-5