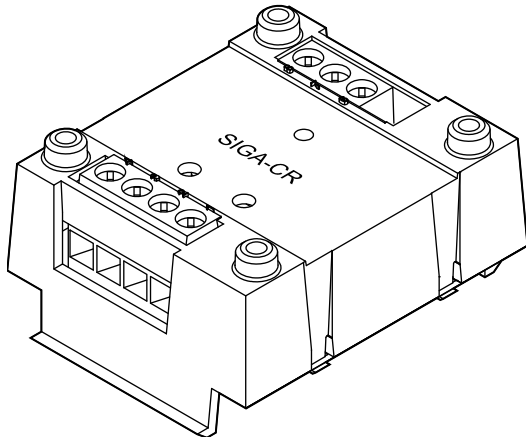




# SIGA-CR Control Relay Module Installation Sheet



## Description

The SIGA-CR Control Relay Module is an addressable device that provides one Form C dry contact output relay. The relay contacts transfer when the module is activated.

The module requires one address on the signaling line circuit (SLC). Addresses are assigned electronically. There are no address switches.

Diagnostic LEDs provide visible indication of the state of the module through the cover plate:

- Normal: Green LED flashes
- Alarm/active: Red LED flashes

## Personality codes

Use the personality codes described below to configure the SIGA-CR module. See Table 1 for listing information.

Table 1: Personality code listing information

Code	Description	UL 864	CAN/ULC-S527	EN 54-18
8	Signal - dry contact output	✓	✓	✓

**Personality code 8:** Signal - dry contact output. Configures the module as a dry relay contact to control external appliances (door closers, fans, dampers) or equipment shutdown.

## Installation

Install this device in accordance with applicable national and local codes, ordinances, and regulations.

**WARNING:** Connecting a device that exceeds this module's pilot duty contact ratings may cause activation failure. This module does not support capacitive loads. See "Specifications" on page 3 for contact ratings.

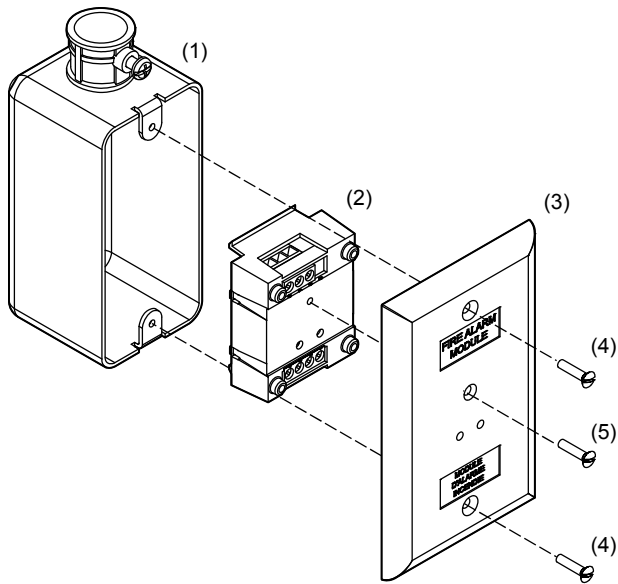
## Notes

- The module is shipped from the factory as an assembled unit; it contains no user-serviceable parts and should not be disassembled.
- This module does not operate without electrical power. As fires frequently cause power interruption, discuss further safeguards with the local fire protection specialist.
- Install the module within the same room as the device it is controlling.

## To install the module:

1. Write the address assigned to the module on the label provided, and then apply the label to the module. Remove the serial number label from the module, and then attach it to the project documentation.
2. Wire in accordance with "Wiring" on page 2.
3. Using the self-tapping screw provided, attach the wall plate to the module. See Figure 1.
4. Using the two machine screws provided, attach the wall plate and module to the electrical box.

Figure 1: Installing the SIGA-CR module



- (1) Compatible electrical box
- (2) SIGA-CR module
- (3) Wall plate
- (4) #6-32 × 5/8 machine screw (2X)
- (5) #4 × 1/2 self-tapping screw

## Wiring

Wire this device in accordance with applicable national and local codes, ordinances, and regulations.

### Notes

- Refer to the Signature loop controller installation sheet for SLC wiring specifications.
- Each terminal on the module is limited to a single conductor.

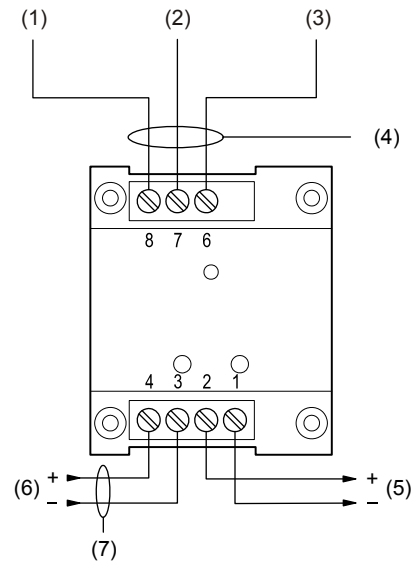
### To wire the module:

1. Verify that all field wiring is free of opens, shorts, and ground faults.
2. Strip 1/4 in. (about 6 mm) from the ends of all wires that connect to the terminal block of the module.

When stripping wire ends, exposing more wire may cause a ground fault; exposing less wire may result in a faulty connection.

3. Make all wiring connections as shown in Figure 2.

Figure 2: Wiring diagram






- (1) Normally open contact (NO)
- (2) Common contact (C)
- (3) Normally closed contact (NC)
- (4) Not supervised. Power-limited unless connected to a nonpower-limited source. If the source is nonpower-limited, eliminate the power-limited mark and maintain a minimum of 0.25 in. (6.4 mm) space from power-limited wiring. For other mounting methods, see enclosure and bracket installation sheets to maintain separation of power-limited and nonpower-limited wiring. The wire size must be capable of handling fault current from nonpower-limited source.  
— or —  
Use type FPL, FPLR, FPLP, or permitted substitute cables, provided these power-limited cable conductors extending beyond the jacket are separated by a minimum of 0.25 in. (6.4 mm) space or by a nonconductive sleeve or nonconductive barrier from all other conductors. Refer to the NFPA 70 *National Electrical Code* for more details.
- (5) Signaling line circuit (SLC) to next device
- (6) Signaling line circuit (SLC) from previous device
- (7) Power-limited and supervised

## Specifications

Operating voltage	15.20 to 19.95 VDC
Current	
Standby	85 µA
Activated	85 µA
Ground fault impedance	10 kΩ
Contact ratings (pilot duty)	24 VDC at 2 A 120 VAC at 0.5 A
Relay type	Form C, programmable
Circuit designation	
Signaling line circuits	Class A, Style 6 or Class B, Style 4
Wire size	12 to 18 AWG (1.0 to 4.0 mm <sup>2</sup> )
LPCB/CPR electrical box	
Requirements	Plastic box with cover plate, no gaps or unused holes
Minimum size W × H × D	2.4 × 3.5 × 1.5 in. (60 × 85 × 38 mm)
Compatible electrical boxes	2-1/2 in. (64 mm) deep single-gang box; Standard 4 in. square, 1-1/2 in. (38 mm) deep box
Operating environment	
Temperature	32 to 120°F (0 to 49°C)
Relative humidity	0 to 93%, noncondensing
Storage temperature range	-4 to 140°F (-20 to 60°C)

## Regulatory information

Manufacturer	Edwards, A Division of UTC Fire & Security Americas Corporation, Inc. 8985 Town Center Parkway, Bradenton, FL 34202, USA  Authorized EU manufacturing representative: UTC Fire & Security B.V. Kelvinstraat 7, 6003 DH Weert, Netherlands
Year of manufacture	The first two digits of the DATE MFG number (located on the product identification label) are the year of manufacture.
FCC compliance	This device complies with part 15 of the FCC Rules. Operation is subject to the following two conditions: (1) This device may not cause harmful interference, and (2) this device must accept any interference received, including interference that may cause undesired operation.
North American standards	CAN/ULC-S527, UL 864
EN 54	EN 54-18:2005 Input/output devices
EU compliance	
CPR certificates	0832-CPR-F0330
 	2002/96/EC (WEEE directive): Products marked with this symbol cannot be disposed of as unsorted municipal waste in the European Union. For proper recycling, return this product to your local supplier upon the purchase of equivalent new equipment, or dispose of it at designated collection points. For more information, see: <a href="http://www.recyclethis.info">www.recyclethis.info</a> .

## Contact information

For contact information, see [www.est-fire.com](http://www.est-fire.com).

